



EPOXY ALTERNATIVE

RotaChock

When epoxy is not the right solution.

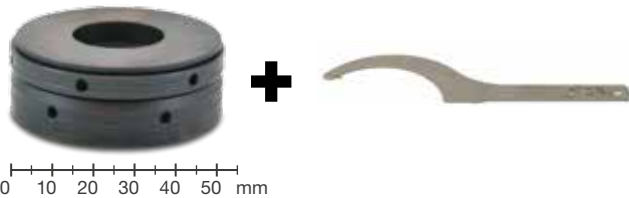
The RotaChock is an innovative steel chock for placing under machinery or engines that need accurate alignment, such as ships' engines, presses, pumps and lathes. The RotaChock element can be readjusted at any time if necessary.

The installation can be carried out easily with the RotaChock wrench. The possible heights for Rota-Chocks are between 20 and 98 mm.

The advantages of RotaChock:

- Economical
- Self-levelling
- Adjustable
- Re-usable
- Easy installation

Order online: epoxy-shop.com/rotachock



RotaChock in industrial use



HOW TO REACH US

Any questions?

Call us, we will be glad to help you.



MIM

Marine- und Industrie-Montage GmbH

Tel.: +49 (0)40-25 155-113

Fax: +49 (0)40-25 155-150

E-mail: info@mim-hamburg.de

MIM Marine- und Industrie-Montage GmbH
Wendenstraße 252 · 20537 Hamburg · Germany



Internet:
mim-hamburg.de



Online store:
epoxy-shop.com

Reference sectors:

Shipbuilding/naval, e.g. for engines and gearboxes

Fossil energies, e.g. gas storage facilities, tanks, drilling platforms

Offshore/wind energy, e.g. jack-up vessels

Industry, e.g. in steelworks, refineries, chemical industry parks



Our clients in shipbuilding/the naval sector and industry

INDUSTRY

WE FIX IT

YOUR EPOXY RESINS SPECIALIST



CBH CARL BAGUHN HAMBURG



MIM

Marine- und Industrie-Montage GmbH



WHAT WE USE IN OUR WORK

Chockfast Red

Three-component epoxy resin, suitable for full-surface casting-in-place of large machinery, e.g. compressors and turbines, with individual layer thicknesses of 50–460mm. Chockfast Red is also suitable for repairing damaged foundations.

Chockfast Red SG

Three-component epoxy resin, suitable for full-surface casting-in-place of large machinery, e.g. compressors and turbines, with individual layer thicknesses of 25–100mm. Chockfast Red SG is particularly free-flowing and is also suitable for repairing damaged foundations.

Cast-in-place anchors + Chockfast Red

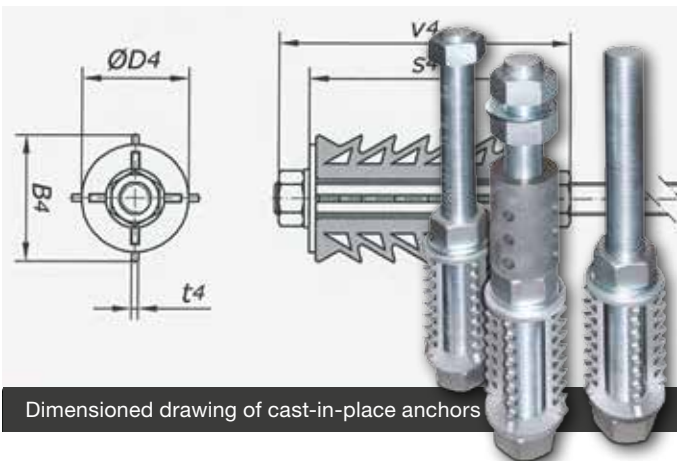
Our cast-in-place anchors (also called foundation bolts or anchor bolts) are securely cast in place in the concrete during the casting of a foundation or foundation block. Experience shows that a particularly high load-bearing capacity is achieved for the structure when Chockfast Red three-component epoxy resin is used as the casting resin. Anchors are available in various sizes from M8–M56.

Benefits:

- Maximum load-bearing capacity
- Problem-free casting
- Short full cure time (approx. 36 hours)

Casting heights depend on the environmental conditions, among other things.

Order online: epoxy-shop.com/vergussanker



BENEFITS

Reasons for using Chockfast Red

- Quick restoration of your machines and plant to operational readiness due to the short curing time of Chockfast Red/Red SG/Red HF (approx. 36 hours)
- Machines and plant can be cast in place in the finally aligned position
- Chockfast Red/Red SG/Red HF is oil and acid resistant, which means
 - a) no special surface coating is needed
 - b) no further penetration of injurious substances into the underlying concrete
- Chockfast Red/Red SG/Red HF is self-levelling, so there is no need to compact or vibrate the material after casting

Physical properties

	Chockfast Red	Concrete
Compressive strength:	105.2 N/mm ²	24.1 N/mm ²
Elasticity modulus under compressive loading:	13,792.9 N/mm ²	41,378.6 N/mm ²
Flexural strength:	27.8 N/mm ²	5.5 N/mm ²
Tensile strength:	13.0 N/mm ²	2.5 N/mm ²
Fire resistance:	self-extinguishing	non-combustible
Linear shrinkage:	not measurable	0.2%
Curing time:	18 to 36 hours	28 days

Order online: epoxy-shop.com/chockfast



WHAT WE OFFER YOU

Industrial plant

New casting-in-place of:

- Gas compressors, pumps, drive/propulsion units, turbines, support systems for compressor units, production plant, robots etc. in refineries, chemical industry parks and all manufacturing trades

Part-casting of:

- Damaged and repaired foundations
- Part foundations

Complete reinstatement of:

- Machine foundations

Concrete repair:

- E.g. by crack injection
- Part-casting and new casting-in-place
- Repair and replacement
- Coatings

Epoxy coatings:

- Coating of concrete foundations
- Coating of warehouse floors
- Underground parking

Laser measurement/shaft alignment:

- Shaft alignment for installation and servicing
- Vibration measurement

More information: epoxy-shop.com/dienstleistungen

